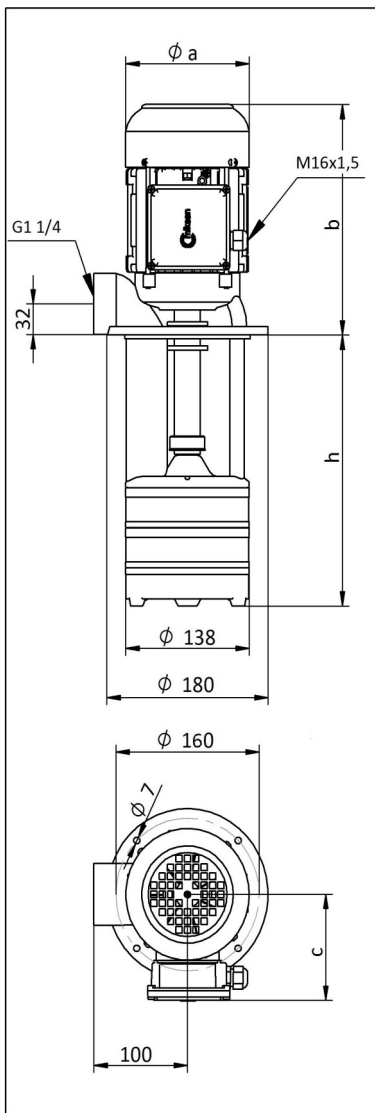


### DIMENSIONS & NOMINAL VALUES



TYPE	Depth of Immersion h (mm)	mm			Weight kg	Power kW	Voltage V(Δ/Y)	Frequency Hz	Rated Current A	Speed rpm
		a	b	c						
EP 150/200	200	138	242	107	13.3	0,37	230/400	50	1.75/1.00	2800
EP 150/270	270				13.9					
EP 150/350	350				14.2					
EP 150/440	440				15.9					
EP 150/550	550				17.2					
EP 152/240	240	138	242	107	18.6	0,74	230/400	50	3.65/2.10	2820
EP 152/310	310				19.2					
EP 152/390	390				19.5					
EP 152/480	480				21.2					
EP 153/280	280	138	242	107	19.8	1,1	230/400	50	5.65/3.25	2780
EP 153/350	350				20.4					
EP 153/430	430				20.7					
EP 153/520	520				22.4					

\* Pump dimensions according to EN 12157.

\*\* The performance curves are based on 1 mm<sup>2</sup>/s (cSt) kinematic viscosity values and 1000 kg/m<sup>3</sup> density

\*\*\* Curve tolerance according to EN ISO 9906.

Performance Curve

