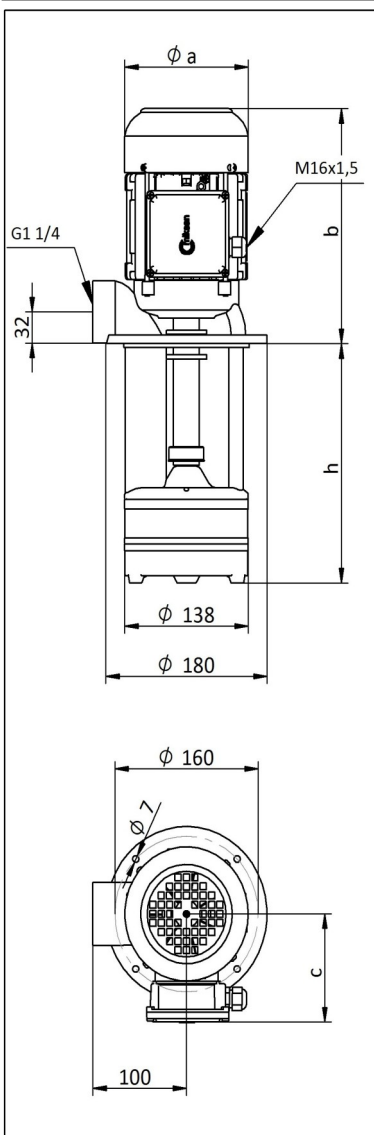


DIMENSIONS & NOMINAL VALUES

TYPE	Depth of Immersion h (mm)	mm			Weight kg	Power kW	Voltage V(Δ/Y)	Frequency Hz	Rated Current A	Speed rpm
		a	b	c						
EP 250/200	200	138	242	107	14.5	0,55	230/400	50	3.70/2.15	2820
EP 250/270	270				15.1					
EP 250/350	350				15.5					
EP 250/440	440				17.2					
EP 250/550	550				18.5					
EP 252/250	250	138	242	107	18.0	1,1	230/400	50	5.65/3.25	2780
EP 252/320	320				18.6					
EP 252/400	400				18.9					
EP 252/490	490				20.6					



* Pump dimensions according to EN 12157.

** The performance curves are based on $1\text{ mm}^2/\text{s}$ (cSt) kinematic viscosity values and 1000 kg/m^3 density

*** Curve tolerance according to EN ISO 9906.

Performance Curve

