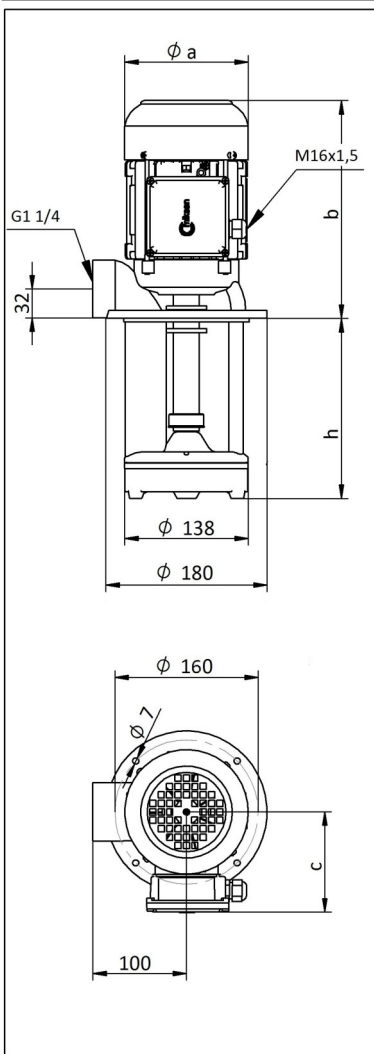


DIMENSIONS & NOMINAL VALUES



TYPE	Depth of Immersion h (mm)	mm			Weight kg	Power kW	Voltage V(Δ/Y)	Frequency Hz	Rated Current A	Speed rpm
		a	b	c						
EP 350/200	200	138	242	107	16.6	0,74	230/400	50	3.65/2.10	2820
EP 350/270	270				17.2					
EP 350/350	350				17.5					
EP 350/440	440				19.2					
EP 350/550	550				20.2					

* Pump dimensions according to EN 12157.

** The performance curves are based on 1 mm²/s (cSt) kinematic viscosity values and 1000 kg/m³ density

*** Curve tolerance according to EN ISO 9906.

Performance Curve

