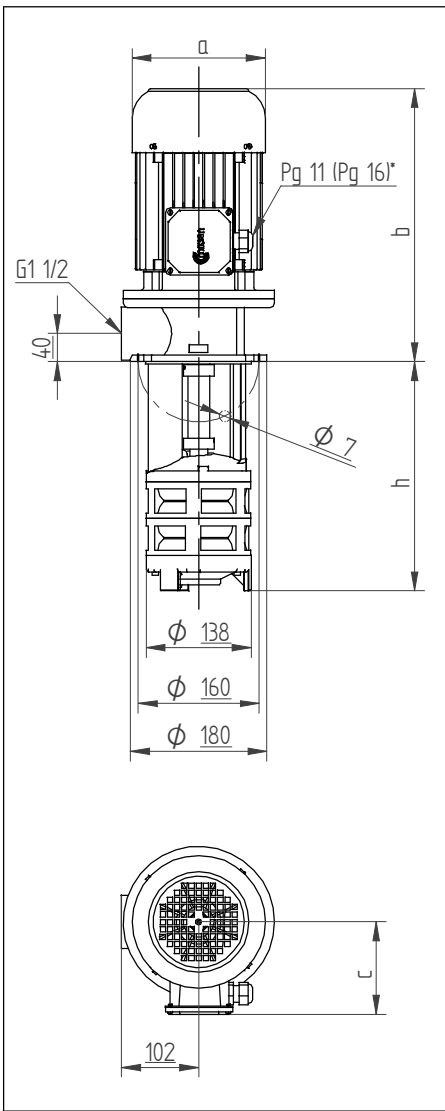


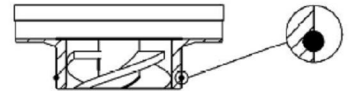
## DIMENSIONS AND NOMINAL VALUES



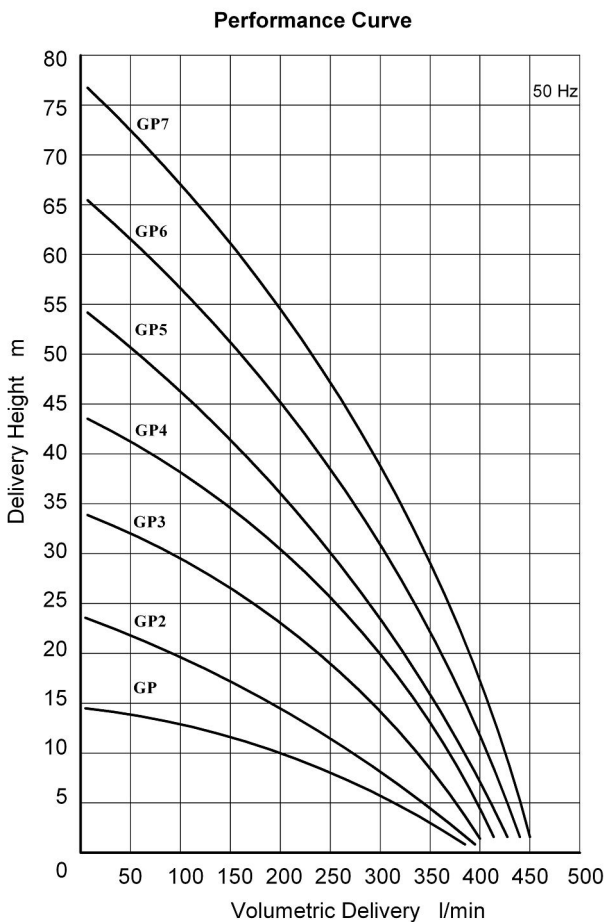
TYPE	Depth of immersion h (mm)	mm			Weight kg	Power kW	Voltage V(ΔY)	Frequency Hz	Rated current A	Speed rpm
		a	b	c						
GP/200	200	∅157	320	110	20	1.1	230/400	50	4.5/2.6	2815
GP/270	270				21					
GP/350	350				22					
GP/440	440				23					
GP-2/190	190	∅176	340	122	26	1.5	230/400	50	6.2/3.6	2840
GP-2/250	250				27					
GP-2/320	320				28					
GP-2/400	400				29					
GP-2/490	490				30					
GP-3/240	240	∅176	364	124.5	31	2.2	230/400	50	8.7/5.0	2840
GP-3/300	300				32					
GP-3/370	370				33					
GP-3/450	450				34					
GP-4/290	290	∅176	364	124.5	35	2.2	230/400	50	8.7/5.0	2840
GP-4/350	350				36					
GP-4/420	420				37					
GP-4/500	500				38					
GP-5/340	340	∅194	398	145	41	3	230/400	50	11.1/6.6	2880
GP-5/400	400				42					
GP-5/470	470				43					
GP-6/390	390	∅194	398	145	47	4	400 Δ	50	8.4	2900
GP-6/450	450				48					
GP-6/520	520				49					
GP-7/440	440	∅194	398	145	50	4	400 Δ	50	8.4	2900
GP-7/500	500				51					



Optional (Type GPA)  
Axial impeller for metal chip containing coolants



Optional (Type GPF)  
Axial impeller and o-ring on suction cover for vacuum filters



GP Pump has the nominal values above. On demand, it can be supplied with other voltage and frequency values.

\* GP-2/GP-3/GP-4/GP-5/GP-6/GP-7

### Applications

GP series serve for circulation of coolants and cutting fluids as cooling and lubrication units on machine tools.

- Kinematic viscosity 90 mm<sup>2</sup>/s
- Operating temperature 0...80 °C
- Noise level max. 72dB

### Material Properties

- |                |           |
|----------------|-----------|
| - Pump body    | cast iron |
| - Intake cover | cast iron |
| - Impeller     | brass     |
| - Shaft        | steel     |

DIMENSIONS OF THE PUMPS REFER TO STANDART SPECIFICATIONS EN 12157

Adress: Oto Sanayi Sitesi Çelik Sok. No:68

4.Levent / İSTANBUL-TURKEY

Tel: 90 212 284 64 00

Fax:90 212 279 55 67

web: [www.miksanmotor.com](http://www.miksanmotor.com)

e-mail: [info@miksanmotor.com](mailto:info@miksanmotor.com)