



HD PUMP

Applications:

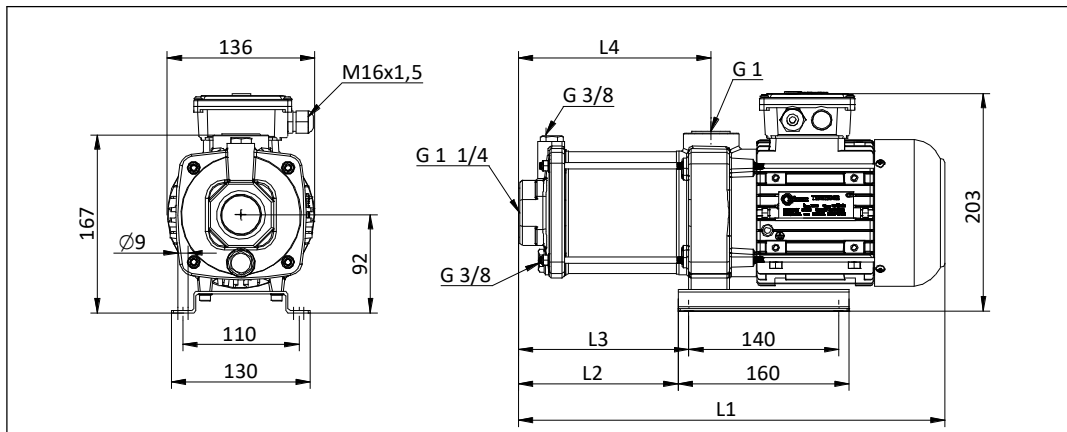
- Cutting, turning, milling, boring, grinding and similar applications of the machine tools,
- Erosion machines,
- Circulation systems. HD Pumps are used for pumping of cutting / cooling fluids.

Fluid Specifications:

- Coolants,
- Cutting oils,
- Grinding oils,
- Water,
- Fluid temperature 0...80 °C
- Kinematic viscosity 1...30 mm²/s

Malzemeler:

Pump body	: Cast iron - DIN GG 25
Inlet body	: Cast iron - DIN GG 25
Diffuser	: Stainless steel - DIN 4301 (AISI 304)
Impeller	: Stainless steel - DIN 4301 (AISI 304)
Stage cover	: Stainless steel - DIN 4301 (AISI 304)
Pump shaft	: Stainless steel - DIN 4401 (AISI 316)
O-ring	: Viton
Mechanical seal	: C - SiC - Viton TuC - SiC - Viton (Optional) TuC - TuC - Viton (Optional)
Electric motor	: 3 phase induction motor 2 pole, 3000 rpm Protection degree IP 55



DIMENSIONS & NOMINAL VALUES

TYPE	L4	L3	L2	L1	Weight kg	Power kW	Voltage V(Δ/Y)	Frequency Hz	Rated current A	Speed rpm
	mm									
HD/02	137	116	106	356	12.9	0.55	230/400	50	2.25/1.3	2780
HD/03	158	137	127	377	13.1	0.55			2.25/1.3	2780
HD/04	179	158	148	398	14.9	1.1			4.85/2.8	2720
HD/05	200	179	169	419	15.1	1.1			4.85/2.8	2720
HD/06	221	200	190	440	15.3	1.1			4.85/2.8	2720

- * The performance curves are based on 1 mm²/s (cSt) kinematic viscosity values and 1000 kg/m³ density
- ** Curve tolerance according to EN ISO 9906.
- *** HD/04, HD/05 and HD/06 pumps have IE2 motors. According to IEC 60034-30-1:2014 standard these pumps are excluded from efficiency class since their motors are completely integrated into the pump.

Performance Curve

