

LP 125 PUMP

Applications:

- Machine tools,
- Filtration systems,
- Circulation systems,
- Air conditioning systems,

Fluid Specifications:

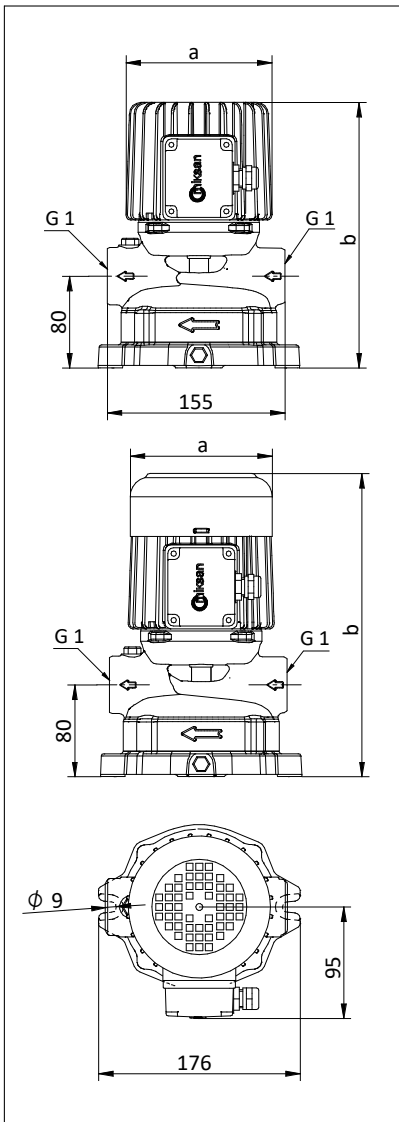
- Coolants,
- Cutting oils,
- Grinding oils,
- Water
- Chip containing liquids (max. 5 mm)
- Fluid temperature 0...60 °C
- Kinematic viscosity 1...90 mm²/s

Materials:

Pump body	: Cast iron - DIN GG25
Motor Flange	: Cast iron - DIN GG25
Impeller	: Cast iron - DIN GG25
Shaft	: Stainless steel - AISI 420 (DIN 1.4021)
O-ring	: Viton
Mechanical Seal	: SiC-SiC-Viton
Electric motor	: 3 phase induction motor 2 pole, 3000 rpm Protection degree IP 54



DIMENSIONS & NOMINAL VALUES



TYPE	mm		Weight	Power	Voltage	Frequency	Rated current	Speed
	a	b	kg	kW	V(Δ /Y)	Hz	A	rpm
LP 125/088	127	232	9.0	0.25	230/400	50	1.26/0.73	2760
LP 125/095	124	265	9.5	0.37			2.16/1.25	2820

- * The performance curves are based on $1 \text{ mm}^2/\text{s}$ (cSt) kinematic viscosity values and $1000 \text{ kg}/\text{m}^3$ density
- ** Curve tolerance according to EN ISO 9906.
- *** LP 125/088 is provided without coolant fan.

Performance Curve

