

LP 225 PUMP

Applications:

- Machine tools,
- Filtration systems,
- Circulation systems,
- Air conditioning systems,

Fluid Specifications:

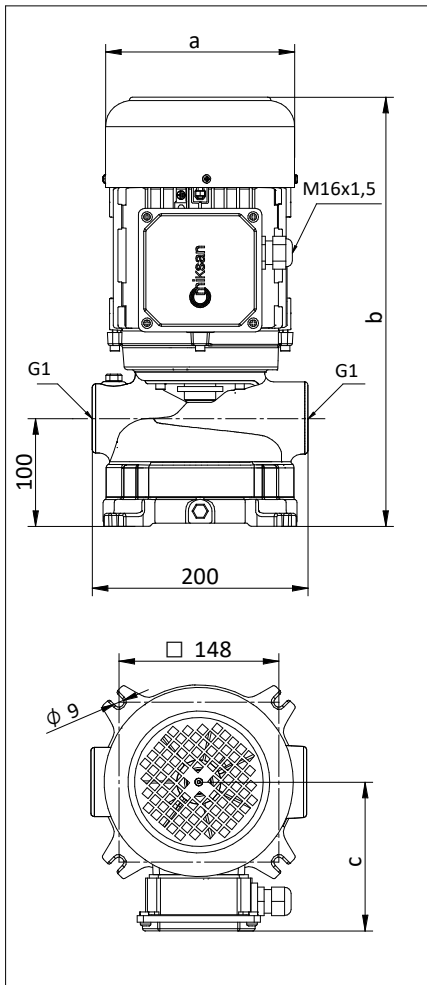
- Coolants,
- Cutting oils,
- Grinding oils,
- Water
- Chip containing liquids (max. 5 mm)
- Fluid temperature 0...60 °C
- Kinematic viscosity 1...90 mm²/s

Materials:

Pump body	: Cast iron - DIN GG25
Motor Flange	: Cast iron - DIN GG25
Impeller	: Cast iron - DIN GG25
Shaft	: Stainless steel - AISI 420 (DIN 1.4021)
O-ring	: Viton
Mechanical Seal	: SiC-SiC-Viton
Electric motor	: 3 phase induction motor 2 pole, 3000 rpm Protection degree IP 54



DIMENSIONS & NOMINAL VALUES



TYPE	a	b	c	Weight	Power	Voltage	Frequency	Rated current	Speed
	mm			kg	kW	V(ΔY)	Hz	A	rpm
LP 225/110	138	350	111	17.0	0.55	230/400	50	2.25/1.3	2780
LP 225/118				17.5	0.75			3.12/1.8	2820
LP 225/125	157	380	118	20.0	1.10			4.16/2.4	2890

* The performance curves are based on 1 mm²/s (cSt) kinematic viscosity values and 1000 kg/m³ density

** Curve tolerance according to EN ISO 9906.

Performance Curve

