



LP 232 PUMP

Applications:

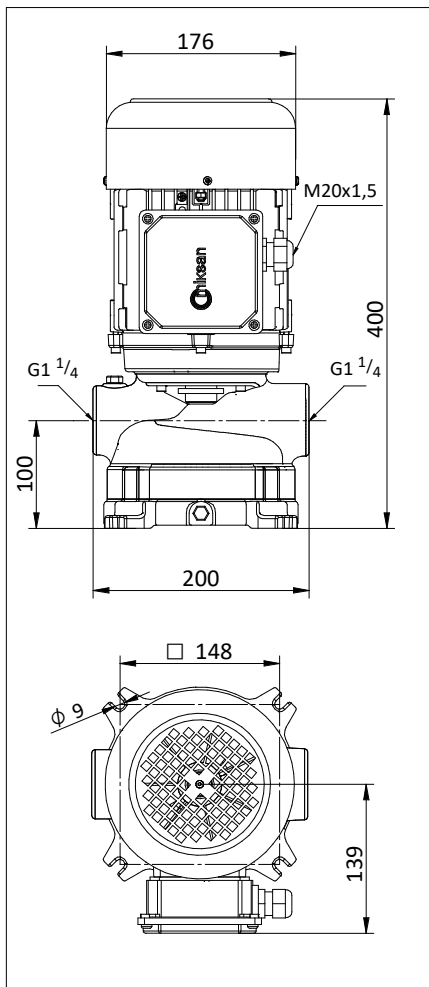
- Machine tools,
- Filtration systems,
- Circulation systems,
- Air conditioning systems,

Fluid Specifications:

- Coolants,
- Cutting oils,
- Grinding oils,
- Water
- Chip containing liquids (max. 8 mm)
- Fluid temperature 0...60 °C
- Kinematic viscosity 1...90 mm²/s

Materials:

Pump body	: Cast iron - DIN GG25
Motor Flange	: Cast iron - DIN GG25
Impeller	: Cast iron - DIN GG25
Shaft	: Stainless steel - AISI 420 (DIN 1.4021)
O-ring	: Viton
Mechanical Seal	: SiC-SiC-Viton
Electric motor	: 3 phase induction motor 2 pole, 3000 rpm Protection degree IP 54



DIMENSIONS & NOMINAL VALUES

	Weight	Power	Voltage	Frequency	Rated current	Speed
TYPE	kg	kW	V(Δ/Y)	Hz	A	rpm
LP 232/125	23.5	1.5	230/400	50	5.72/3.3	2910

- * The performance curves are based on 1 mm²/s (cSt) kinematic viscosity values and 1000 kg/m³ density
- ** Curve tolerance according to EN ISO 9906.

Performance Curve

